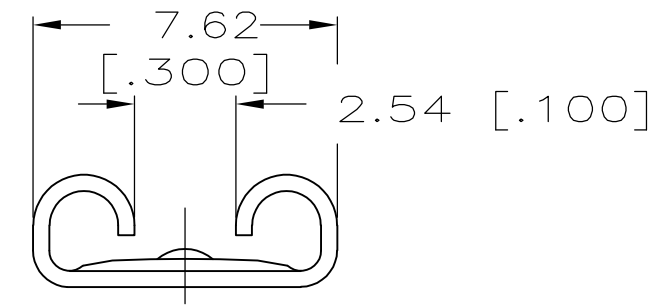
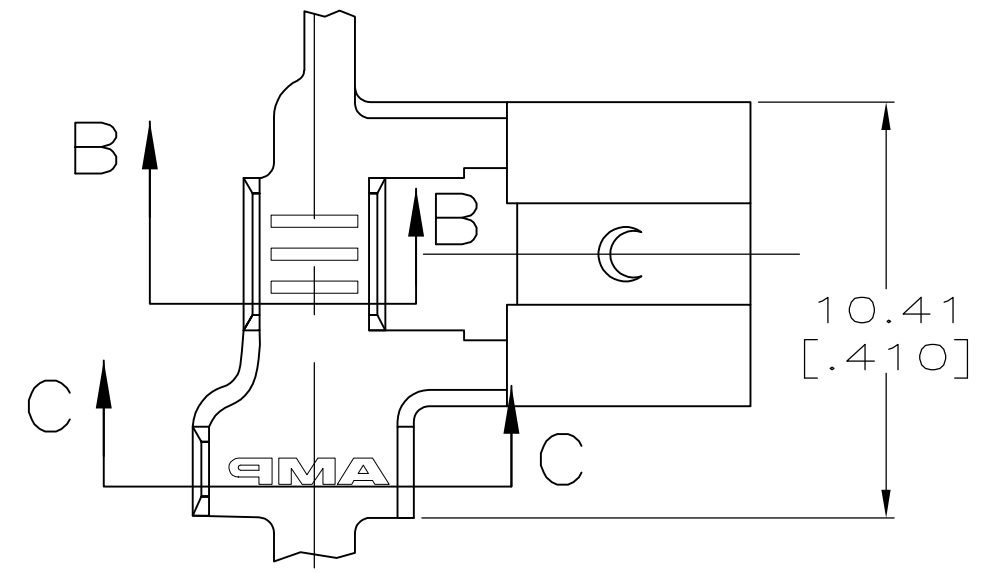


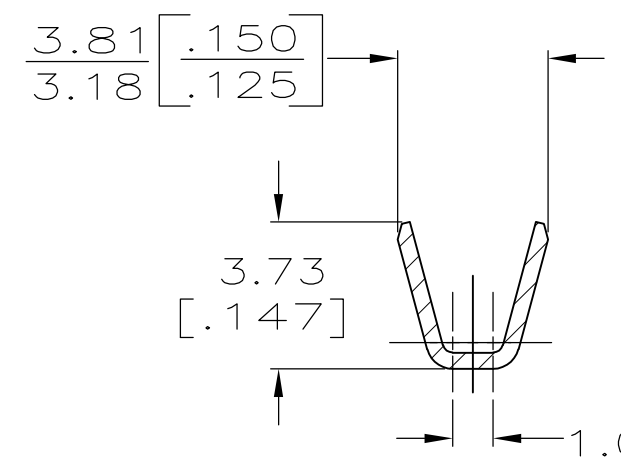
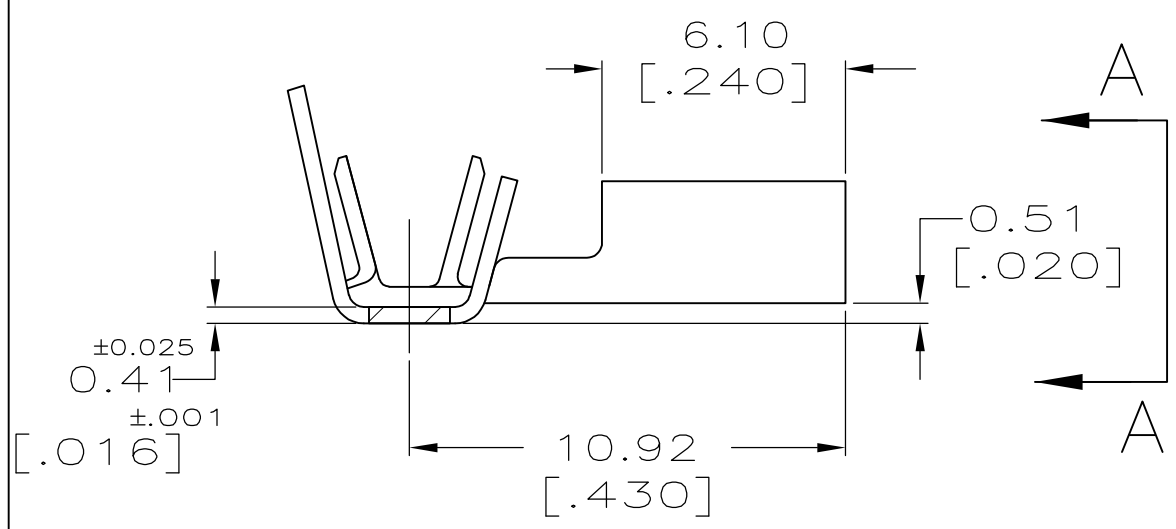
THIS DRAWING IS UNPUBLISHED. RELEASED FOR PUBLICATION
 © COPYRIGHT - By - ALL RIGHTS RESERVED.

| LOC | DIST | REVISIONS | | | |
|-----|------|-------------|---------------------------|-----------|-------|
| P | LTR | DESCRIPTION | DATE | DWN | APVD |
| AF | 50 | N | REVISED PER ECR-12-013459 | 26DEC2012 | KH PD |

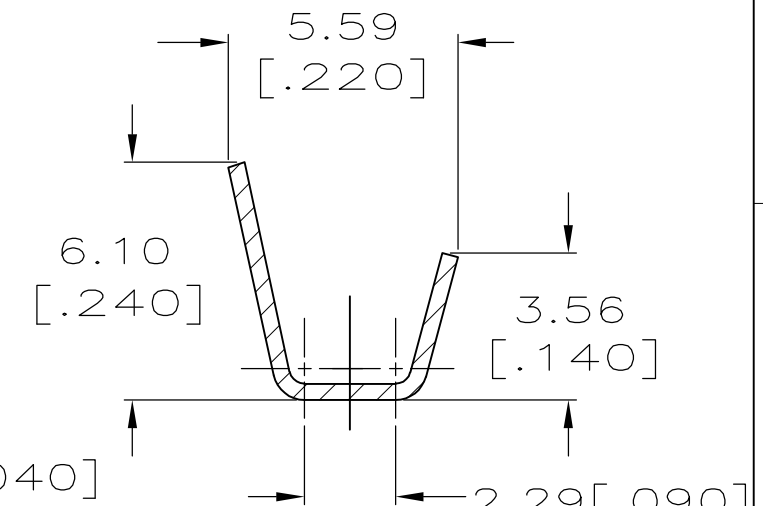


VIEW A-A

- 1 CONTINUOUS STRIP ON REELS.
- 2 WIRE SIZE IS 0.6-2.0mm [18-14] AWG.
- 3 INSULATION RANGE IS 2.79-4.06 [.110-.160] DIA.
- 4 MATING TAB THK IS 0.81±0.025 [.032±.001].
- △ 5 SPECIAL PACKAGING QUANTITY



SECTION B-B



SECTION C-C

| | | |
|----------|-----------------|-------------|
| OBSOLETE | .000080 MIN TIN | △ 5 63012-3 |
| | TIN | 63012-2 |
| | - | 63012-1 |
| | PLATING | PART NO. |

| | | | | | | | | |
|---|-------|--------------|-----------|------------------|---|-----------|------------|---------------|
| THIS DRAWING IS A CONTROLLED DOCUMENT. | | DWN | JR RUTH | 4/8/91 | TE Connectivity RECEPTACLE, FASTON, FLAG, 6.35 [.250] SERIES | | | |
| DIMENSIONS: mm [INCHES] | | CHK | MS FEHER | 4/8/91 | | | | |
| TOLERANCES UNLESS OTHERWISE SPECIFIED: | | APVD | C MEYERS | 4/8/91 | | | | |
| 0 PLC ± - 1 PLC ± - 2 PLC ± - 3 PLC ± 0.38 [.015] 4 PLC ± - ANGLES ± - | | PRODUCT SPEC | | NAME | | | | |
| MATERIAL | BRASS | FINISH | SEE TABLE | APPLICATION SPEC | SIZE | CAGE CODE | DRAWING NO | RESTRICTED TO |
| | | | | WEIGHT | - | A3 | 00779 | C-63012 |
| CUSTOMER DRAWING | | | | SCALE | 5:1 | SHEET | 1 OF 1 | REV |
| | | | | | | | | N |